



Nidec



Elevator



Diasansör[®]
www.diasansor.com



ESCALATOR MOVING WALK CATALOGUE



WHO WE ARE	02
WORKING WITH NIDEC	03
WHY WE DIFFER	04
EXPERIENCE EXCELLENCE	05
GLOBAL REACH, LOCAL PRESENCE	06
PRODUCT SPECIFICATION	07
PROJECT HIGHLIGHTS	10

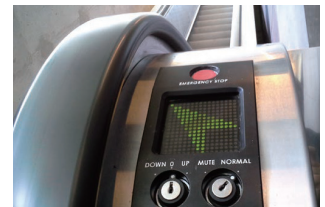
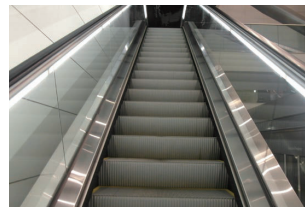
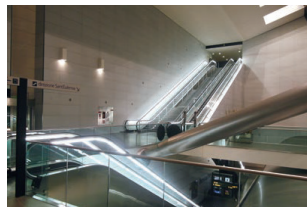
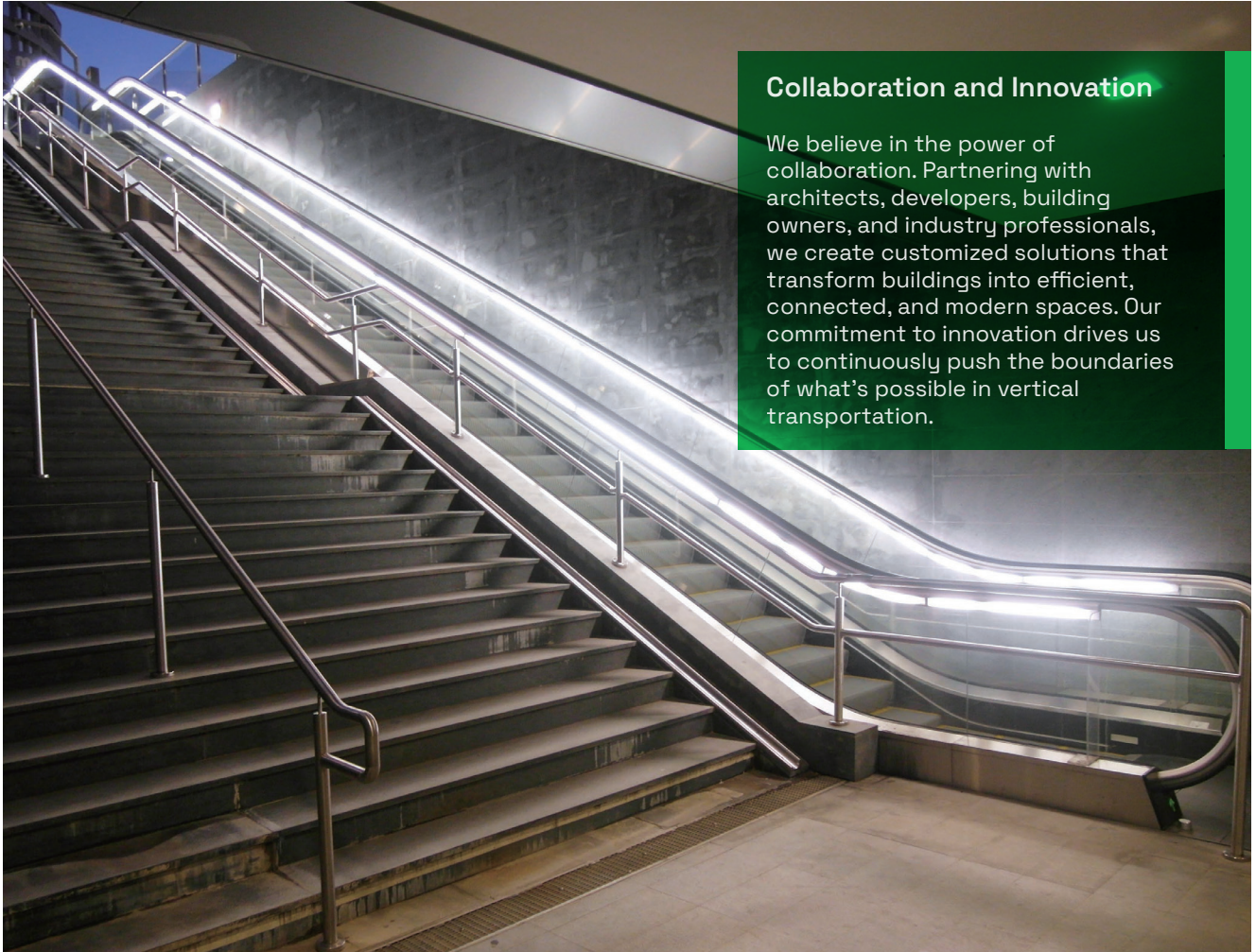


We Prioritize Excellence, Safety and Sustainability

Nidec Elevator is a company that leads innovation in the vertical transportation industry. We prioritize excellence, safety, and sustainability, which has helped us become a global leader in providing elevator and escalator solutions. Our goal is to improve how people move within buildings by delivering safer, more efficient, and more comfortable journeys for passengers, reducing environmental impact.

Collaboration and Innovation

We believe in the power of collaboration. Partnering with architects, developers, building owners, and industry professionals, we create customized solutions that transform buildings into efficient, connected, and modern spaces. Our commitment to innovation drives us to continuously push the boundaries of what's possible in vertical transportation.






Sustainability Matters

In an era of growing environmental awareness, Nidec Elevator is dedicated to sustainable solutions. Our energy-efficient products are engineered to reduce energy consumption, lower operating costs, and minimize the carbon footprint of buildings. We are proud to contribute to the development of eco-friendly vertical transportation options.

Our systems have lower total life-cycle costs compared with competitors, thanks to reduced need for maintenance, the use of standard components, advanced control systems and highly efficient electrical drives and traction machines. Our predictive maintenance technology collects different types of data from the equipment, allowing for real-time, continuous monitoring and detection of potential issues.





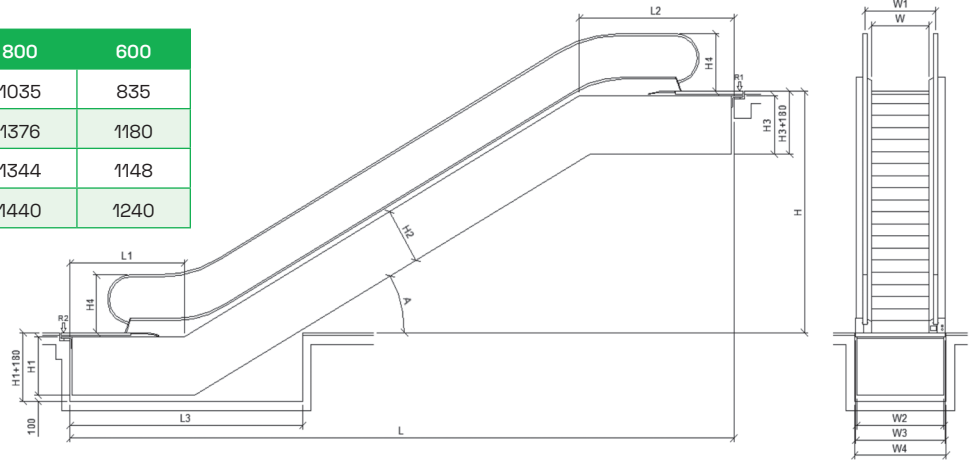
If you're designing a new building or modernizing an existing one, Nidec Elevator is the reliable partner you can count on for vertical transportation. We strive to elevate industry standards and provide unparalleled passenger experiences worldwide. Choose us as your trusted partner in achieving these goals.

Nidec Elevator has a global network and local teams providing comprehensive customer support worldwide. They offer services from project consultation to maintenance to ensure that elevator and escalator systems operate at peak performance.



Commercial

Step width (mm)	1000	800	600
W1	1235	1035	835
W2	1572	1376	1180
W3	1540	1344	1148
W4	1640	1440	1240

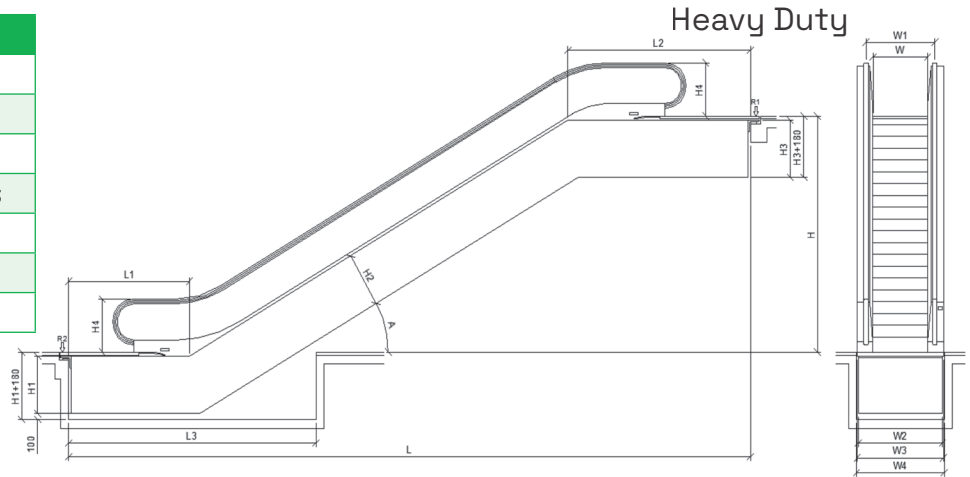


MODEL	A2S-30D	A2S-30T	A2S-35D	A2S-35T
Rising Angle	30	30	35	35
No. Of Flat Steps	2	3	2	3
Vertical Rise (mm)	1100~16000	1100~16000	1250~16000	1250~16000
L (mm)	1.732H+4789	1.732H+5593	1.428H+4907	1.428H+5711
L1 (mm)	2020	2422	2120	2522
L2 (mm)	2769	3171	2787	3189
L3 (mm)	4225	4627	4035	4437

Step Width (mm)	MODEL	A2S-30D	A2S-30T	A2S-35D	A2S-35T
100	escalator weight (kN)	0.008H+46	0.008H+50	0.007H+46	0.007H+50
	R1 (kN)*2	0.0083H+39	0.0083H+43	0.0071H+39	0.0071H+43
	R2 (kN)*2	0.0083H+31	0.0083H+35	0.0071H+31	0.0071H+35
800	escalator weight (kN)	0.008H+38	0.008H+42	0.007H+37	0.007H+41
	R1 (kN)*2	0.0075H+32	0.0075H+36	0.0064H+32	0.0064H+36
	R2 (kN)*2	0.0075H+24	0.0075H+28	0.0064H+24	0.0064H+28
600	escalator weight (kN)	0.008H+34	0.008H+38	0.007H+33	0.007H+37
	R1 (kN)*2	0.0066H+28	0.0066H+31	0.0056H+28	0.0056H+31
	R2 (kN)*2	0.0066H+20	0.0066H+23	0.0056H+20	0.0056H+23

PRODUCT SPECIFICATION

MODEL	A2T-30T
Rising Angle	30
No. Of Flat Steps	3
Vertical Rise (mm)	1100~16000
L (mm)	1.732H+5593
L1 (mm)	2422
L2 (mm)	3171
L3 (mm)	4851

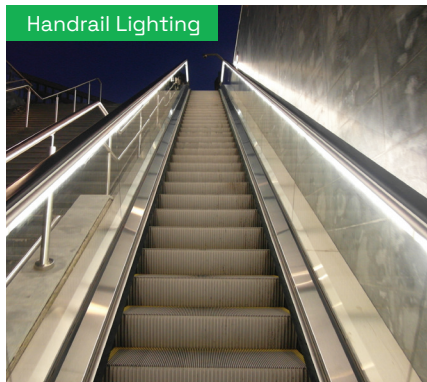


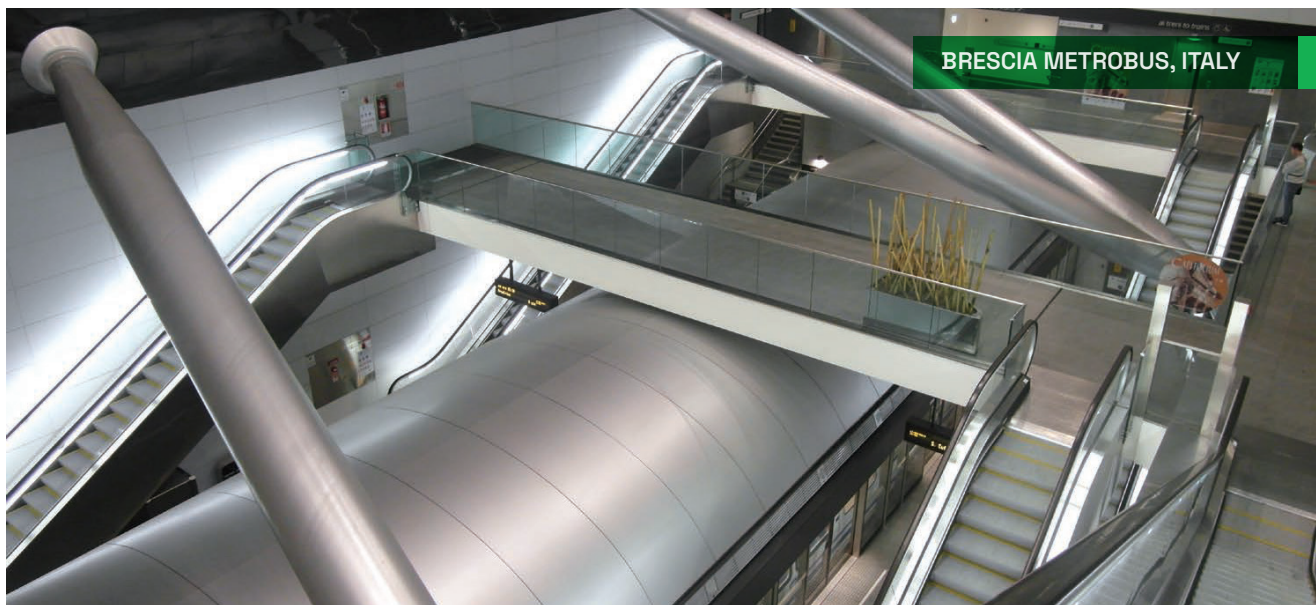
MODEL	A2S-30D	A2S-30T	A2S-35D	A2S-35T
Rising Angle	30	30	35	35
No. Of Flat Steps	2	3	2	3
Vertical Rise (mm)	1100~16000	1100~16000	1250~16000	1250~16000
L (mm)	1.732H+4789	1.732H+5593	1.428H+4907	1.428H+5711
L1 (mm)	2020	2422	2120	2522
L2 (mm)	2769	3171	2787	3189
L3 (mm)	4225	4627	4035	4437

Step width (mm)	MODEL	A2T-30T
100	escalator weight (kN)	0.01H+54
	R1 (kN)*2	0.0093H+45
	R2 (kN)*2	0.0093H+37
800	escalator weight (kN)	0.008H+59
	R1 (kN)*2	0.0075H+45
	R2 (kN)*2	0.0075H+37
600	escalator weight (kN)	0.008H+52
	R1 (kN)*2	0.0066H+39
	R2 (kN)*2	0.0066H+31

Step width (mm)	1000	800	600
W1	1260	1060	860
W2	1622	1426	1230
W3	1540	1344	1148
W4	1682	1482	1282
2020	2422	2120	2522
2769	3171	2787	3189
4225	4627	4035	4437

VVVF							
Power of Motor							
	Step width (mm)	5.5KW	7.5KW	11/13/15KW	18.5KW	2x11/2x13KW	2x15/2x18.5KW
Commercial	600 (≤6000)	0	0	-	-	-	-
	800	0	0	250mm	-	-	-
	1000	0	0	250mm	-	-	-
Heavy Duty	600	0	0	250mm	-	-	-
	800	0	0	250mm	250mm	-	-
	1000	0	0	250mm	250mm	580mm	665mm





BRESCIA METROBUS, ITALY



MILANO METRO LINE 5, ITALY





NOTES

A series of 21 horizontal dotted lines spaced evenly down the page, intended for handwritten notes. The lines extend across most of the width of the page, leaving a small margin on the right.



ISO 9001
2000



Diasansör[®]
www.diasansor.com

Contacts

Bahadır Çiftçi

Europe & North Africa
+90 539 571 0205
bahadir.ciftci@nidec-mce.com

Richard Lin

China
+86 186 6617 3930
richard.lin@nidec-kds.com

Burak Çelik

Türkiye
+90 507 525 40 44
burak.celik@nidec-mce.com

Mert Yavuz

+90 539 933 46 28
mert.yavuz@nidec-mce.com

Gilberto Fuentes

Mexico
+1 314 933 4992
gilberto.fuentes@nidec-mce.com

Central Asia & CIS countries

Abby Huang
abby.huang@nidec-kds.com
+(86) 757 2772 3106

Southeast Asia

Eric Weng
eric.weng@nidec-kds.com
+86 186 8892 0851

Middle East & South Africa

Mohamed Ezzeddine
mohamed.ezzeddine@nidec-mce.com
+971 50 350 0856

Omer Mukthar

omer.mukthar@nidec-mce.com
+971 52 809 6193

India

Arut Chelvan A
arutchelvan.a@mail.nidec.com
+91 91507 333799

Australia

Sunny Zhang
sunny.zhang@nidec-ket.com
+86 139 2151 8096

Latin America

Jairo Guerrero
jairo.guerrero@nidec-mce.com
+1 917 972 0549

DİASANSÖR
info@diasansor.com

Nidec

All for dreams

<https://nidecelevators.com>

February 2024